

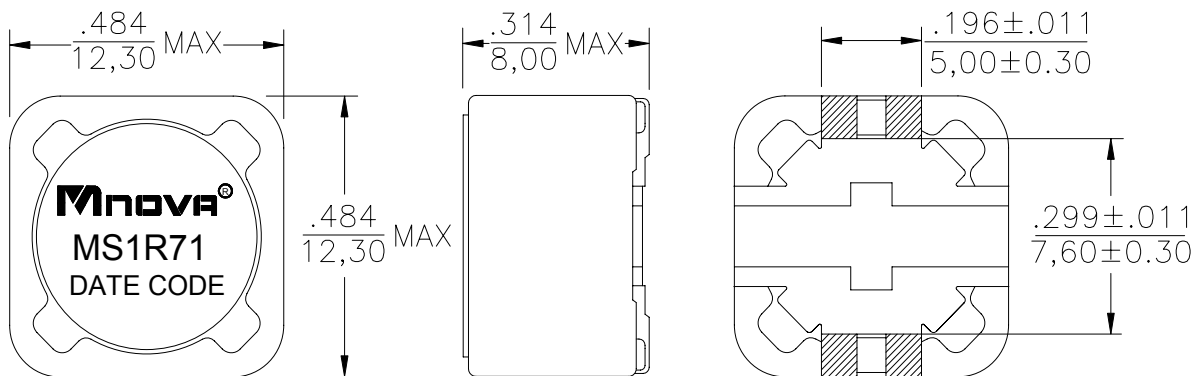
- Large Current and Low DCR
- Magnetically shielded construction
- ROHS Compliance Product
- Operating Temperature range: 0°C TO +85°C



### Electrical Specifications @ 25°C

P/N	OCL @100KHz, 0.01V	DCR	RATED CURRENT
MS1R71	(1-2)	(1-2)	(1-2)
	1.7μH ±15%	8mΩ MAX	8.0A MAX

### DIMENSIONS (unit: inch/mm):



### SCHEMATICS:

