

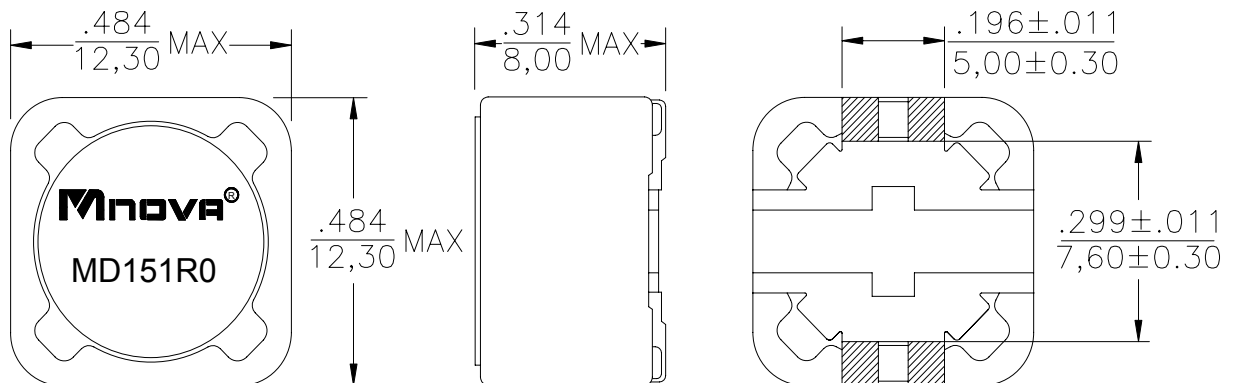
- Large Current and Low DCR
- Magnetically shielded construction
- ROHS Compliance Product
- Operating Temperature range: 0°C TO +85°C



Electrical Specifications @ 25°C

P/N	OCL @100KHz, 1.0V	DCR	RATED CURRENT
MD151R0-1.2	(1-2)	(1-2)	(1-2)
	150μH ±20%	506mΩ MAX	1.2A MAX

DIMENSIONS (unit: inch/mm):



SCHEMATICS:

