

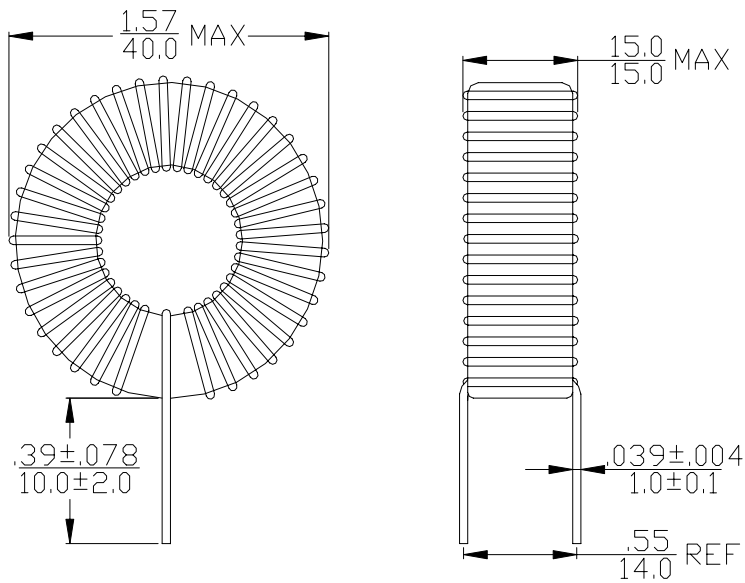
- Lowest EMI
- Low Cost, High Current
- ROHS Compliance Product
- Operating Temperature range: 0°C TO +70°C



Electrical Specifications @ 25°C

P/N	OCL @10KHz 0.1V	DCR
MH33002	(1-2)	(1-2)
	159.7μH ±20%	50mΩ MAX

DIMENSIONS (unit: inch/mm):



SCHEMATICS:

