

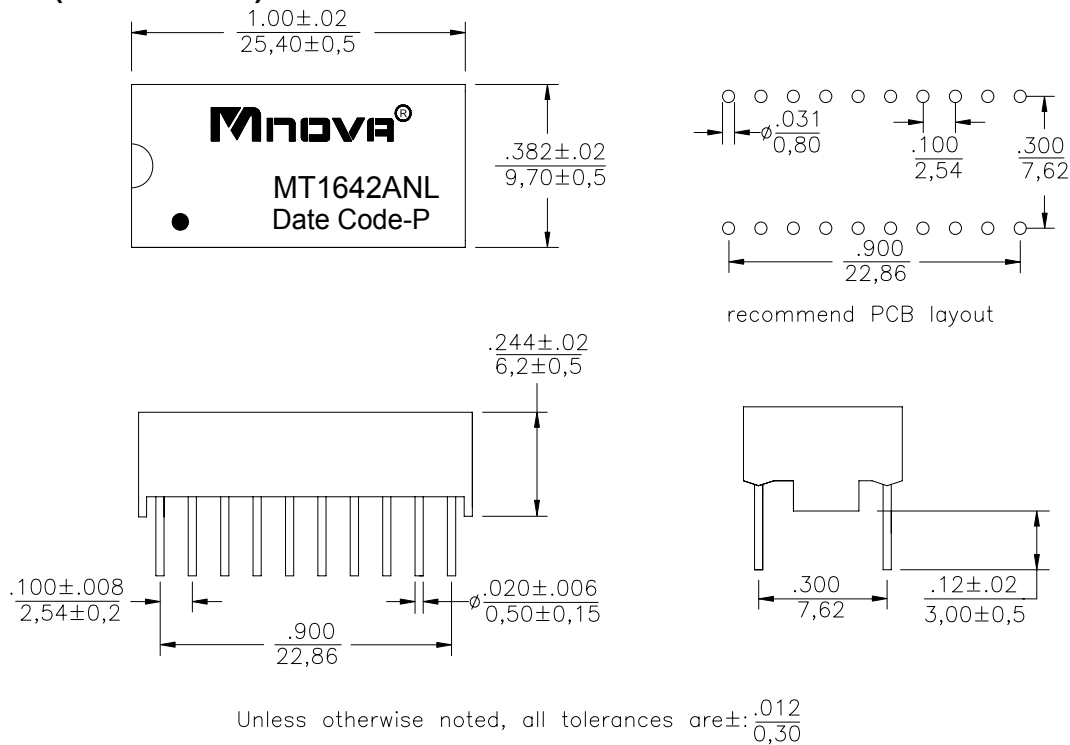
- 10/100BASE TRANSFORMER
- ROHS Compliance Product
- Meets IEEE 802.3 specification
- Operating Temperature range: 0°C TO +70°C



Electrical Specifications @ 25°C

P/N	T/R @ 60KHz 1V	DCR	OCL @ 100KHz 0.1V 8mA DC		LL @ 100KHz 0.1V		Hi-Pot
MT1642ANL (DATECODE- P)	TX&RX	all connected pins	TX&RX		TX&RX		PRI TO SEC
	1CT: 1CT±5%	1.5Ω MAX	350μH MIN		0.5μH MAX		1500V AC 1mA 6S
	IL	RL		CT		CMRR	
	0.1MHz	30MHz	60MHz	80MHz	1-60MHz	100MHz	1-100MHz
	-1.2dB MAX	-16dB MIN	-12dB MIN	-12dB MIN	-40dB MIN	-35dB MIN	-30dB MIN

DIMENSIONS (unit: inch/mm):



SCHEMATICS:

