

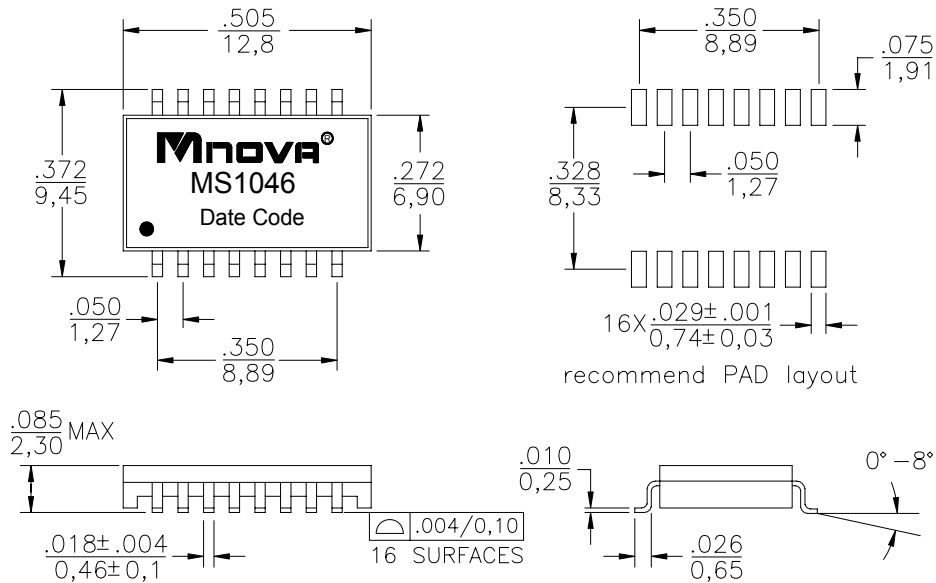
- 10/100BASE FILTER
- ROHS Compliance Product
- Meets IEEE 802.3 specification
- Operating Temperature range: 0°C TO +70°C



### Electrical Specifications @ 25°C

P/N	T/R @ 60KHz 1V	DCR	OCL @ 100KHz 0.1V 8mA DC		LL @ 100KHz 0.1V	Hi-Pot
MS1046	TX&RX	all connected pins	TX&RX		TX&RX	PRI TO SEC
	1CT : 1CT±5%	1.2Ω MAX	350μH MIN		0.5μH MAX	1500V AC 1mA 6S
	<b>IL</b>	<b>RL</b>			<b>CT</b>	
	0.3~125MHz	1~40MHz	40~60MHz	60~80MHz	1~150MHz	
	-1.1dB MAX	-20dB MIN	-14dB MIN	-12dB MIN	-35dB MIN	

### DIMENSIONS (unit: inch/mm):



note: Unless otherwise specified, all tolerances are: ±  $\frac{.012}{0,3}$

### SCHEMATICS:

