

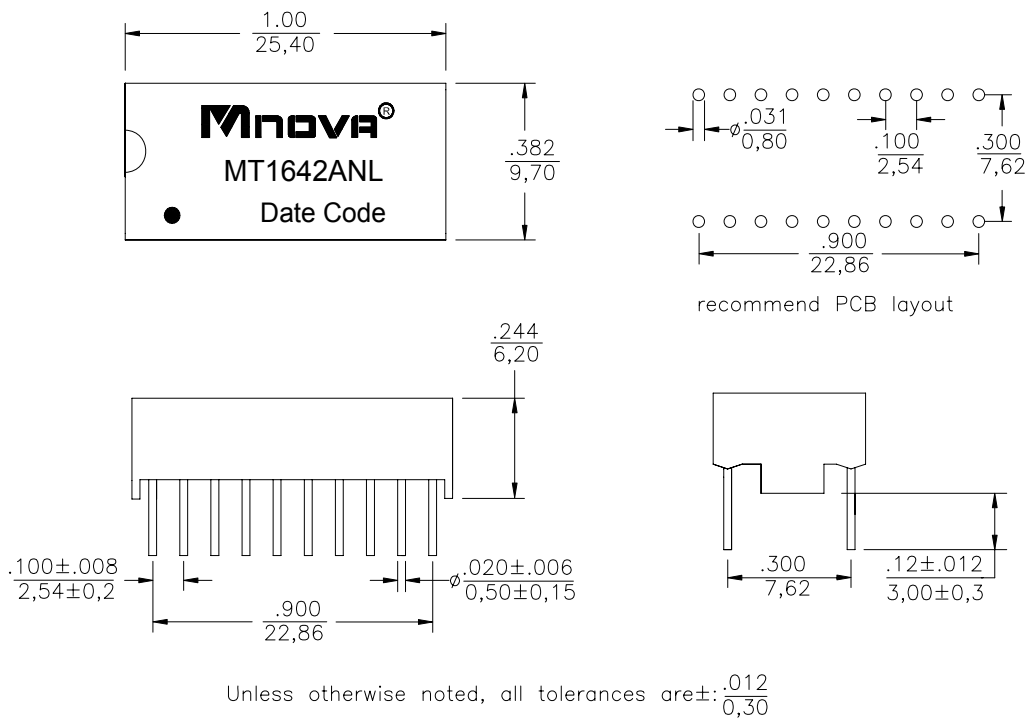
- 10/100BASE TRANSFORMER
- ROHS Compliance Product
- Meets IEEE 802.3 specification
- Operating Temperature range: 0°C TO +70°C



Electrical Specifications @ 25°C

P/N	T/R @ 60KHz 1V	DCR	OCL @ 100KHz 0.1V 8mA DC			LL @ 100KHz 0.1V		Hi-Pot
MT1642ANL	TX&RX	all connected pins	TX&RX			TX&RX		PRI TO SEC
	1CT : 1CT±5%	1.2Ω MAX	350μH MIN			0.5μH MAX		1500V AC 1mA 6S
	IL	RL			CT			
	0.1~100MHz	30MHz	60MHz	80MHz	30MHz	60MHz	100MHz	
	-1.15dB MAX	-20dB MIN	-14dB MIN	-12dB MIN	-45dB MIN	-40dB MIN	-35dB MIN	

DIMENSIONS (unit: inch/mm):



SCHEMATICS:

