

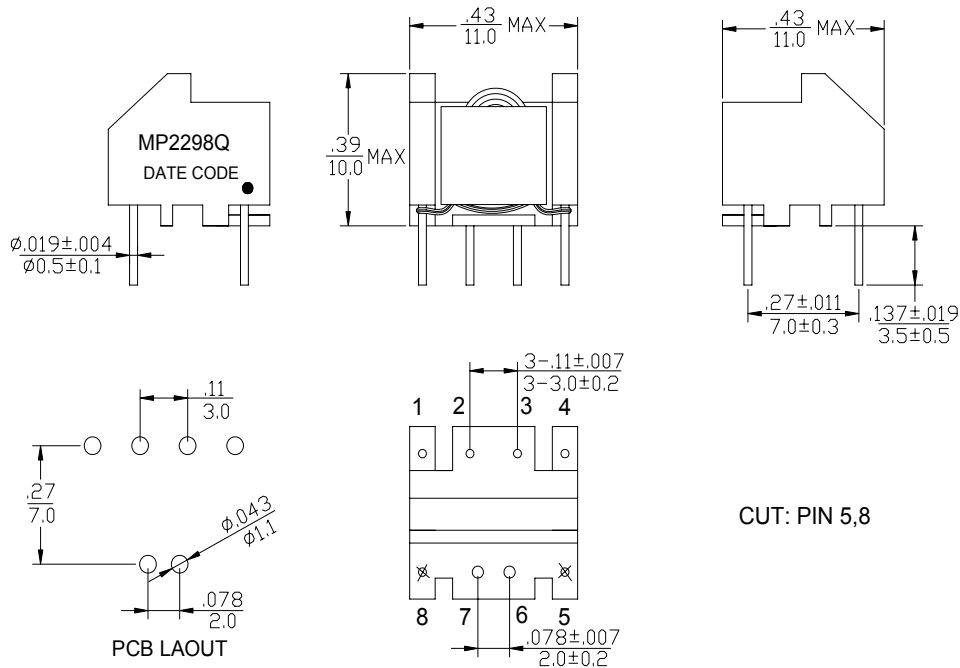
- Designed to meet UL 60950-1
- Core Material Ferrite
- Isolation 1500 Vrms
- Recommended solder profile: Wave soldering
- ROHS Compliance Product
- Operating Temperature range: 0°C TO +70°C



Electrical Specifications @ 25°C

P/N	T/R (±2%)	OCL@100KHz 0.1V (μH MIN)		D.C.R (mΩ MAX)		
		(1-4):(2-3):(6-7)	(6-7)	(1-4)	(6-7)	(2-3)
MP2298Q	4:1:3		8.0	58.0	58.0	8.0
	LL@100KHz 0.1V		CWW@100KHz 0.1V		Hi-pot	
	(6-7), (tie1+2+3+4)		(6-4), (tie1+2)		PRI TO SEC	
	0.325μ H MAX		8.0pF MAX		1500 VAC	

Dimensions (unit: inch/mm)



Schematics

