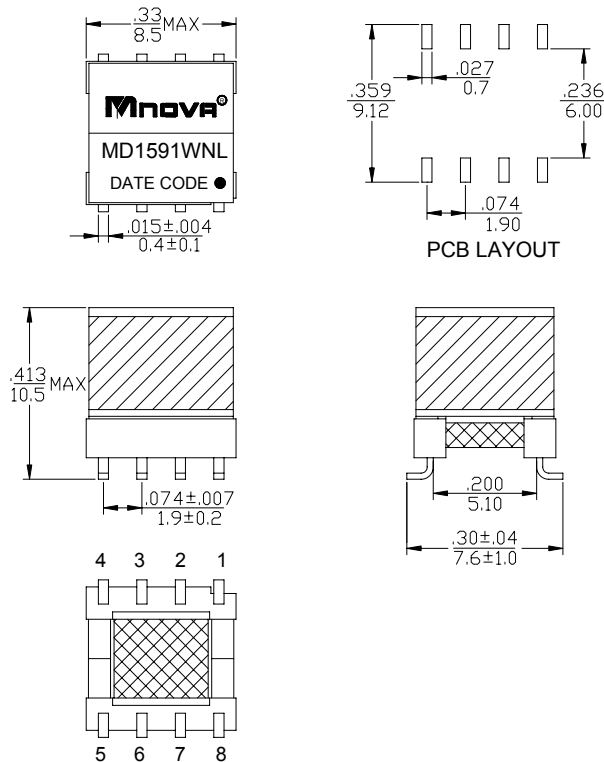


- Designed to meet UL 60950
- Working voltage up to 250Vrms
- Excellent THD performance
- ROHS Compliance Product
- Operating Temperature range: -40°C TO +85°C



Electrical Specifications @ 25°C				
P/N	T/R	OCL@10KHz 0.1V	LL@100KHz 0.1V	Hi-Pot
MD1591WNL	(1-4):(8-5), (tie2+3,6+7)	(1-4), (tie2+3)	(1-4),(tie(2+3,5+6+7+8)	PRI TO SEC
	1:1 ±2%	10μH±10%	1.0μH MAX	1875VAC,1mA,2s
	DCR		CWW@100KHz 0.1V	THD @ 30KHz 3.16V
	(1-4), (tie2+3)	(8-5), (tie6+7)	(1-8), (tie2+3,6+7)	/
	1.0Ω MAX	1.0Ω MAX	50PF MAX	-68dB MAX

DIMENSIONS (unit: inch/mm):



SCHEMATICS:

